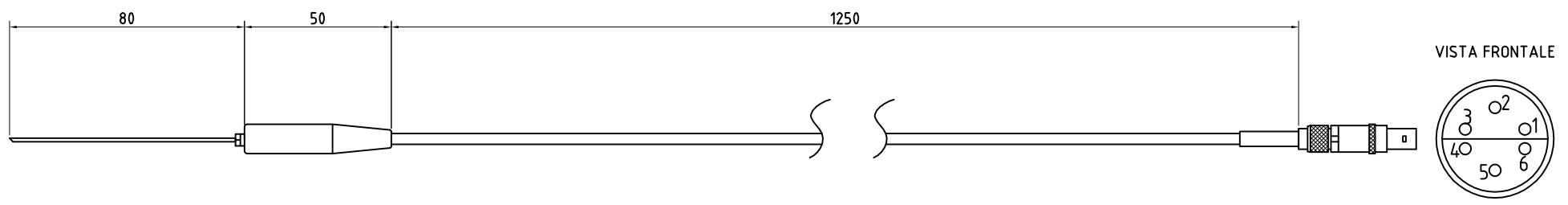

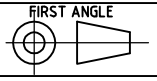


WT	
M	
C	



 THERMO ENGINEERING MALAGNINO - CREMONA WWW.THERMOENGINEERING.IT	TOLLERANZE GENERALI : GENERAL TOLERANCE : EN 22768-m		NS. ART. : TES.01.35		OUR CODE :	TE : JOB N° :
	DISEGNATORE : DRAWER :		DIMENSIONI LINEARI : LINEAR DIMENSIONAL: mm		COD. ART. CLIENTE : CUSTOMER CODE :	POS. : ITEM :
SCALE VALID FOR MASTER DWG ONLY: 1:2	FIRST ANGLE 		DESCRIZIONE : DESCRIPTION :		PEZZI : Q.TY :	
CONTROLLO : CHECKED :	REV. / DATA : REV. / DATE : Rev. 00 / 30.09.11		DISEGNO / DATA : DRAWING / DATE :		<small> PROPRIETA' DI THERMO ENGINEERING S.R.L. VIETATA LA RIPRODUZIONE NON AUTORIZZATA. PROPERTY OF THERMO ENGINEERING S.R.L. UNAUTHORIZED REPRODUCTION FORBIDDEN. </small>	