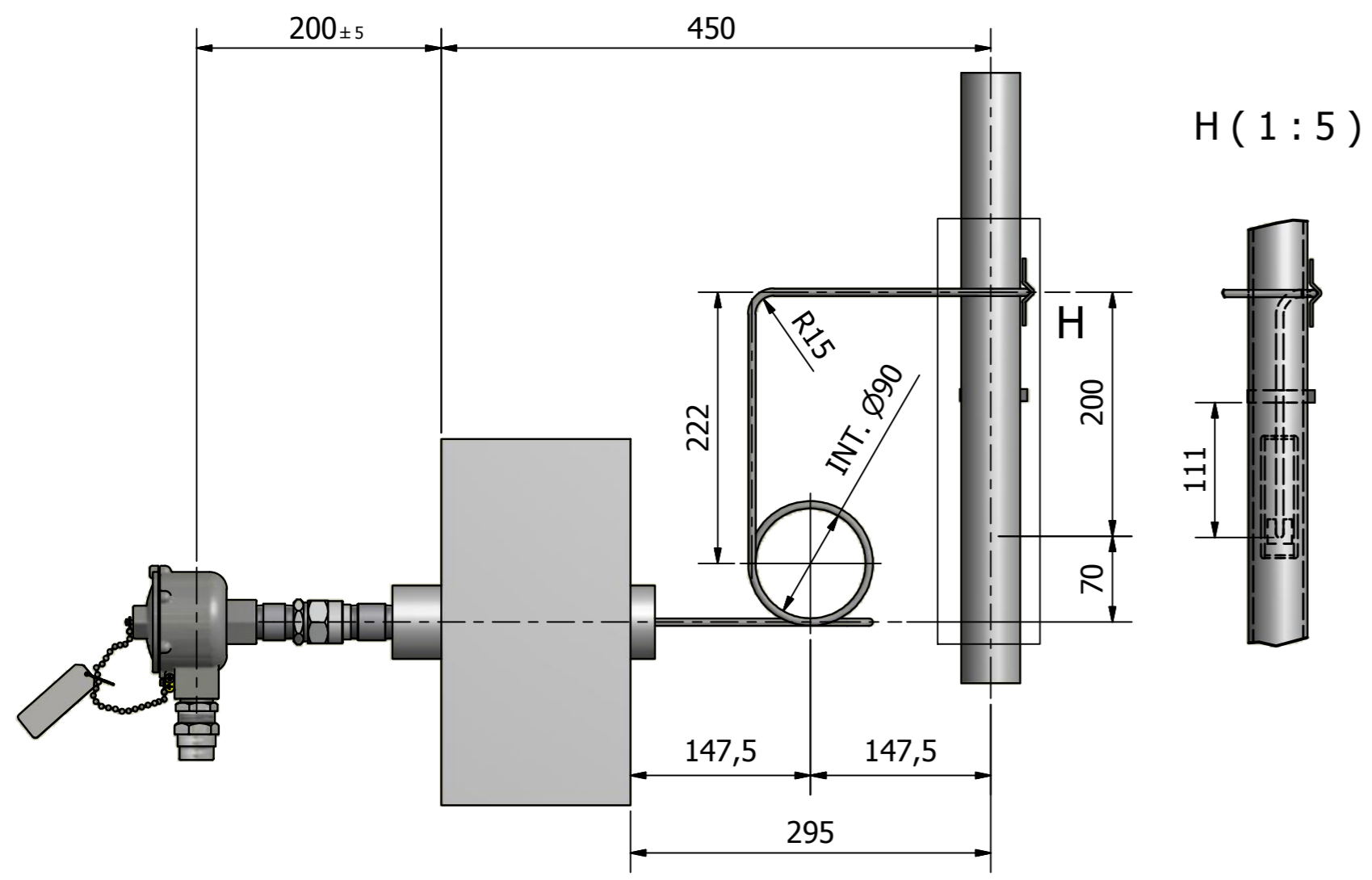
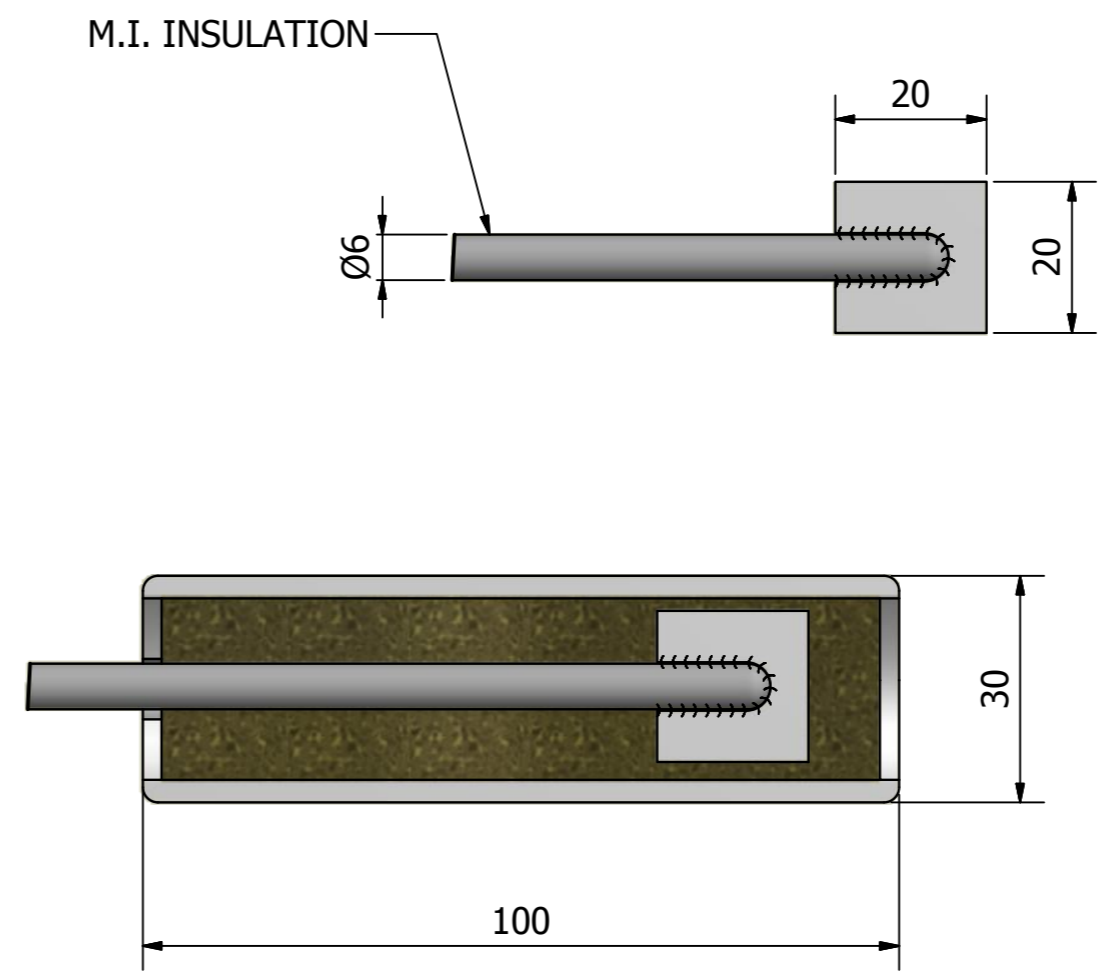


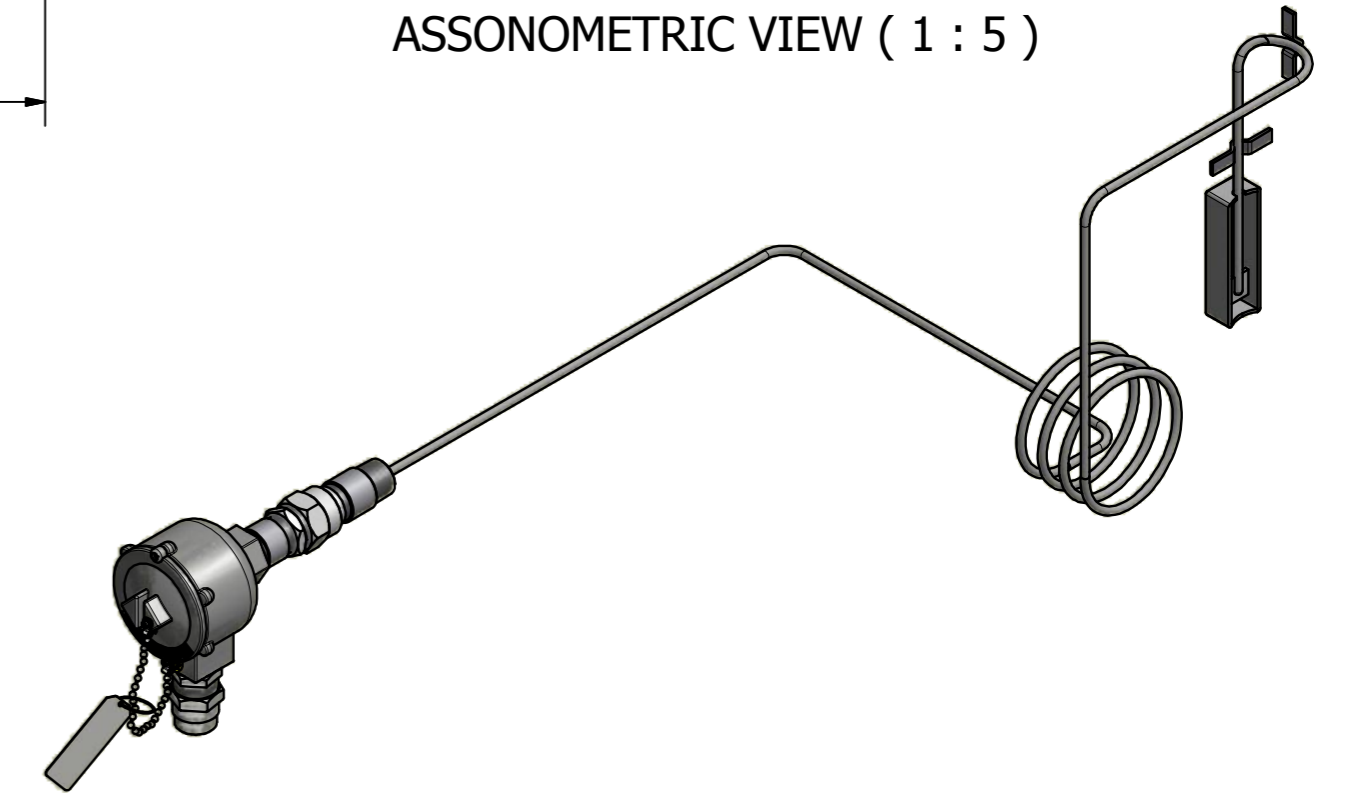
ELEVATION VIEW (1 : 5)



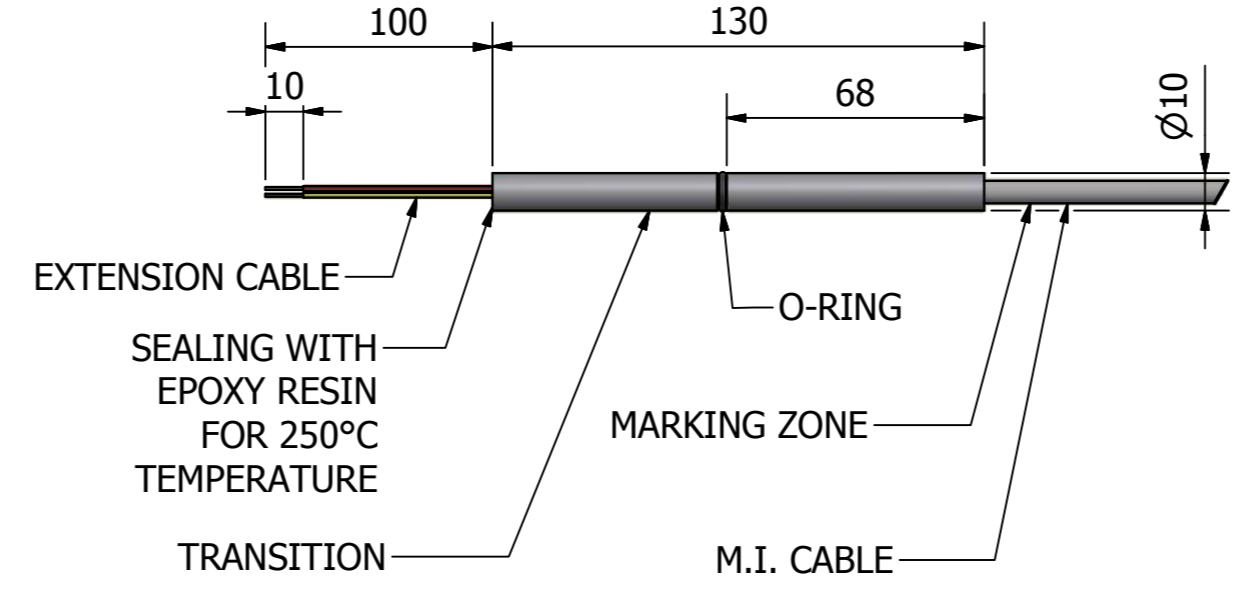
SKIN POINT POSITIONING DETAIL #1



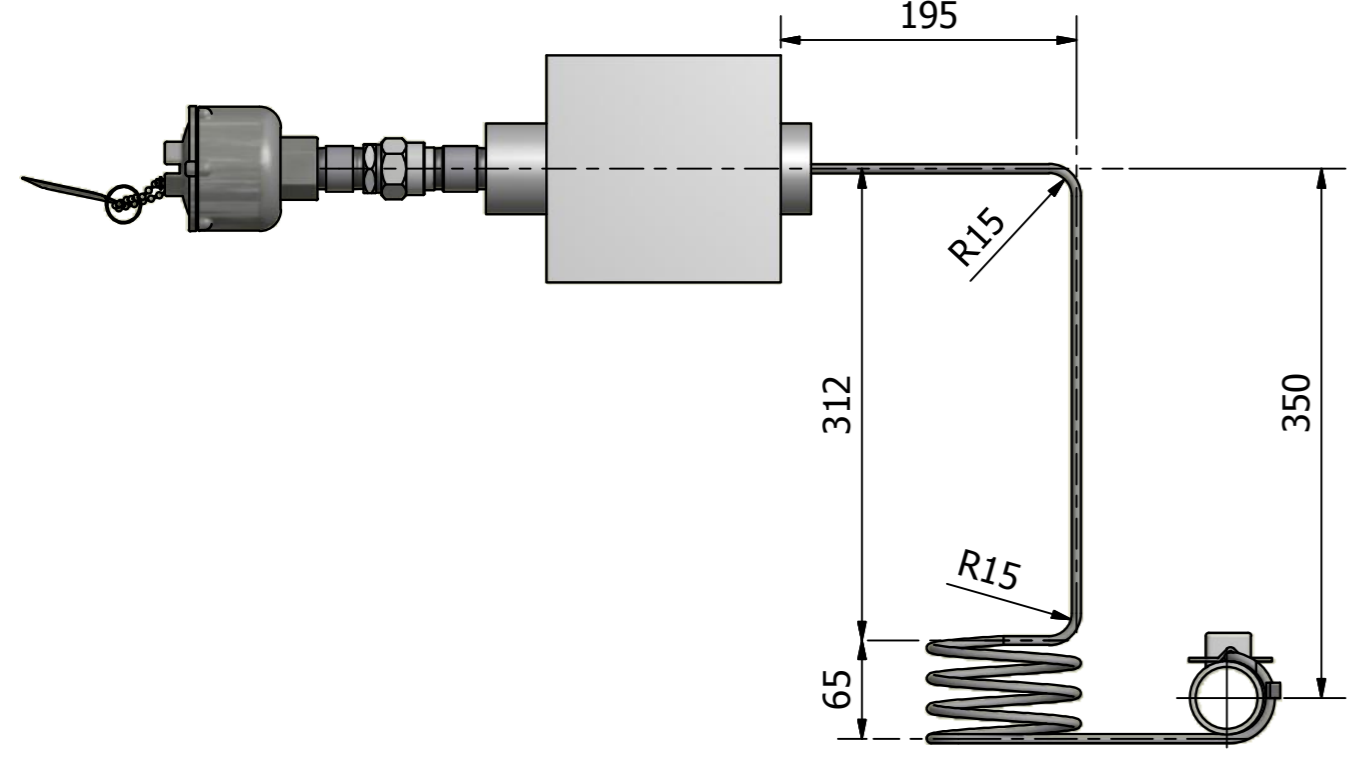
ASSONOMETRIC VIEW (1 : 5)



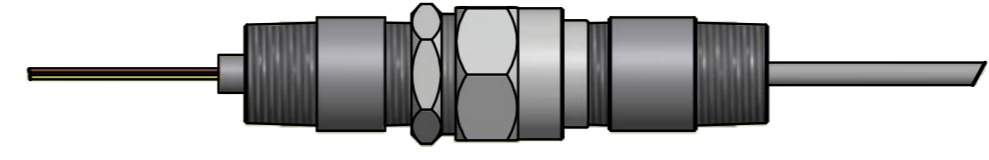
ELECTRICAL TERMINATION DETAIL #2



PLAN VIEW 1 : 5)



Exia LAMINATION SYSTEM DETAIL #3



 THERMO ENGINEERING MALAGNINO - CREMONA WWW.THERMOENGINEERING.IT	TOLLERANZE GENERALI:	NS. ART. :	TE:
	EN 22768-m	TES.08.03	POS.:
	DIMENSIONI LINEARI:	COD. ART. CLIENTE:	PEZZI:
	mm	DESCRIZIONE:	QTY
DISEGNATORE :	SCALA: SCALE	REV. / DATA:	DISEGNO / DATA:
CONTROLLO :	 FIRST ANGLE	REV. / DATE:	DRAWING / DATE:

WT	
M	
C	