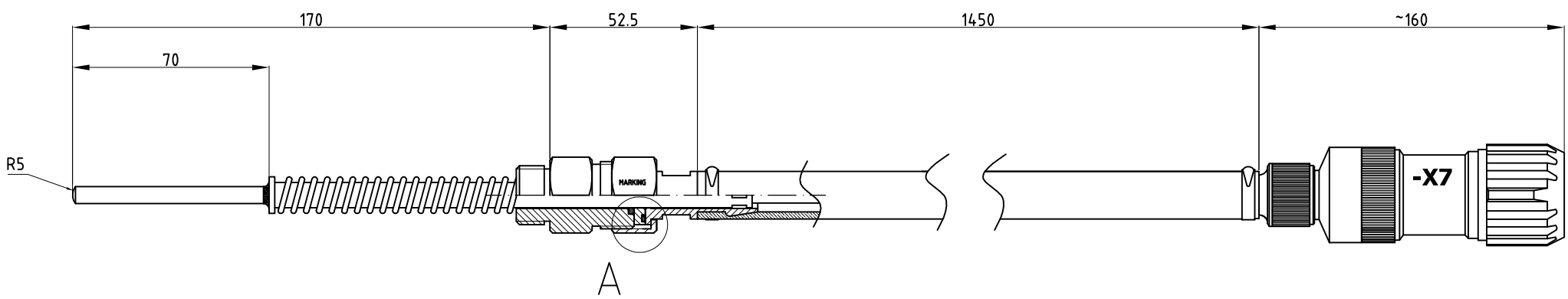
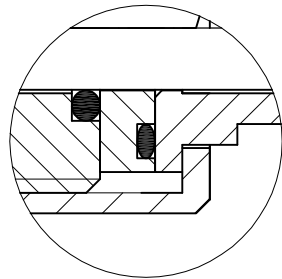


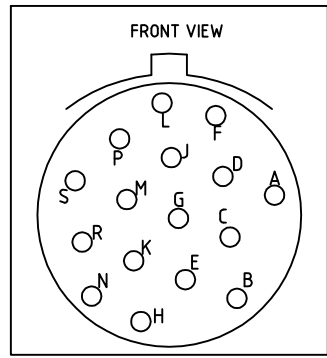
WT	
M	
C	



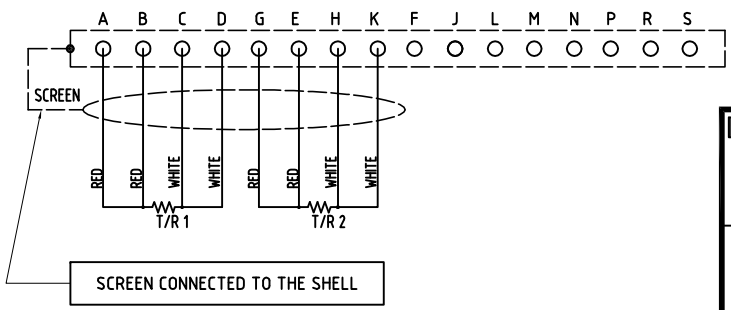
A (1.5:1)



NOT CONNECTED PINS ARE INSERT



CONNECTION PLAN



THERMO ENGINEERING
 MALAGNINO - CREMONA
 WWW.THERMOENGINEERING.IT

DISEGNATORE : DRAWER :

CONTROLLO : CHECKED :

TOLLERANZE GENERALI :
 GENERAL TOLERANCE : **EN 22768-m**

DIMENSIONI LINEARI :
 LINEAR DIMENSIONAL : **mm**

SCALE VALID FOR MASTER DWG ONLY:
1:2

REV. / DATA : REV. / DATE :

NS. ART. : OUR CODE :
TES.06.02

COD. ART. CLIENTE : CUSTOMER CODE :

DESCRIZIONE : DESCRIPTION :

DISEGNO / DATA : DRAWING / DATE :

TE : JOB N° :

POS. : ITEM :

PEZZI : Q.TY :

PROPRIETA' DI THERMO ENGINEERING S.R.L.
 VIETATA LA RIPRODUZIONE NON AUTORIZZATA.
 PROPERTY OF THERMO ENGINEERING S.R.L.
 UNAUTHORIZED REPRODUCTION FORBIDDEN.